



TOTALLY DIFFERENT.



Shown with Optional Syrup Storage Cart  
Consult Taylor distributor for merchandising translights



Item No. \_\_\_\_\_

# C302

## Frozen Carbonated Beverage (FCB) Freezer

Four Flavor

### Features

Dispense a light, fluffy, high overrun slush product in a pressurized system from this modular, counter-top freezer. Optional non-pressurized system produces a wetter, lower overrun slush. Air is discharged out the top of the unit to accommodate tight counter space. Optional cart converts the unit to a self-contained floor model, and provides storage for the syrup.

#### Freezing Cylinder

Four, 7 quart (6.6 liter).

#### Dispensing Door

Clear plastic dispensing doors allow customers to see slush being made. Self closing draw handles are standard. Round dispensing nozzle conveniently fits the hole in domed lids.

#### Indicator Lights/Audible Alarm

Lights illuminate and audible alarm sounds to indicate loss of CO<sub>2</sub>, water or syrup on the affected freezing cylinder. The other flavors will continue to operate when one loses syrup. A snooze feature may be activated to silence the alarm for 30 minutes.

#### Automatic Defrost

Programmable defrost cycles allow the operator to select the time and frequency for defrosting each freezing cylinder independently. The defrost light flashes to warn customers not to draw product from the side that is being defrosted. At the end of the defrost cycle, the freezing cylinder automatically returns to the freeze-down mode.

#### Power Saver

During extended no-use periods, the Power Saver feature may be programmed for either Standby or Rest Mode. Standby Mode maintains product in freezing cylinder between 35 & 40°F (1.6 & 4.4°C) for quickest return to serving product. Rest Mode shuts down the refrigeration system for the most energy savings. Start and end times may be programmed independently for seven cycles.

#### Sure Set™ Flow Control

Automatically maintains brx settings by compensating for fluctuations in water, CO<sub>2</sub>, and syrup pressures. Water flow is preset at the factory.

#### Electronic Viscosity Control

Slushtech™ is standard with our exclusive microprocessor based universal control which regulates refrigeration by measuring product viscosity.

#### Air Filter

Removable, cleanable air filter helps keep condenser clean for optimal refrigeration system performance.

#### Merchandising

Lighted display backlights translight and illuminates clear dispensing doors draws customer attention.

*Preventative maintenance programs are available through your local Taylor distributor.*

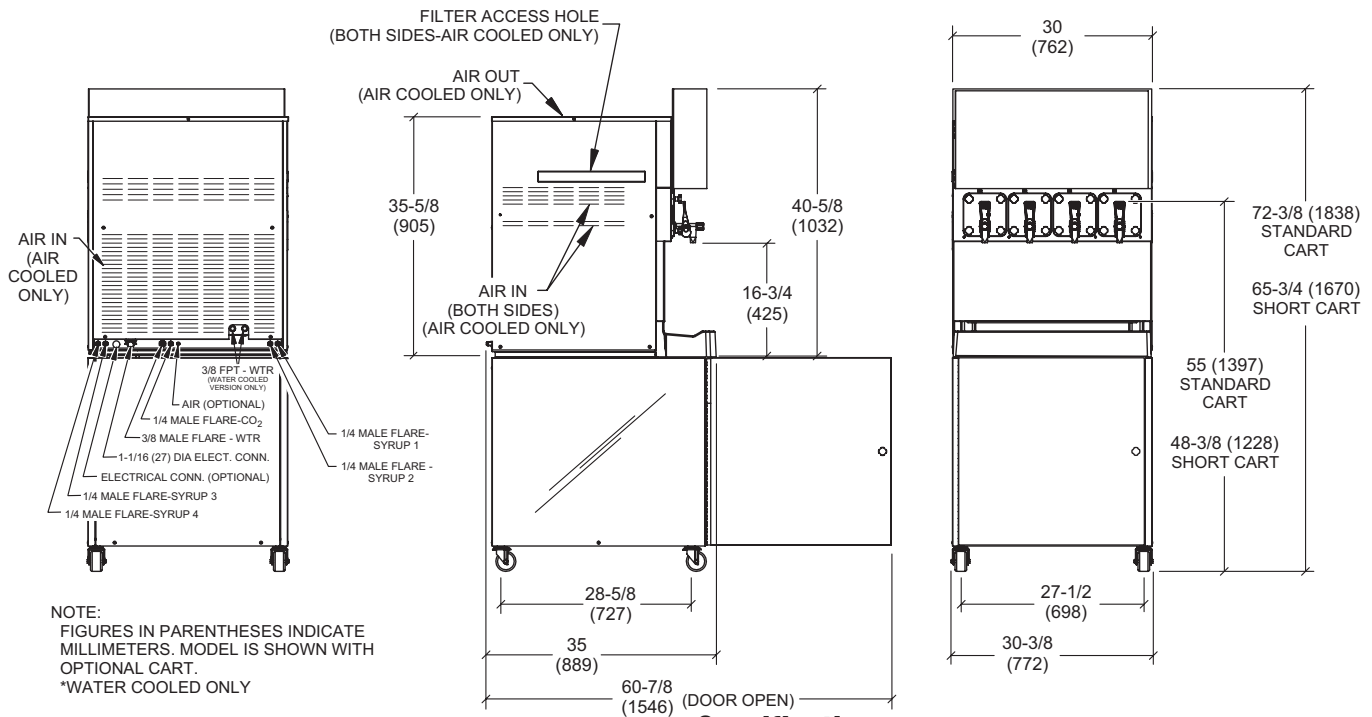
**Continuing research results in steady improvements; therefore, these specifications are subject to change without notice.**

Rockton, Illinois 61072  
**800-255-0626**  
Phone 815-624-8333 Fax 815-624-8000  
**www.taylor-company.com**  
e-mail: info@taylor-company.com

International Office  
Taylor Company S.r.l.  
Roma, Italy  
Tel: **+39-06-420-12002** Fax: +39-06-420-12034  
e-mail: romeoff@taylor-company.com

ISO 9001:2000  
Registered Firm

# C302 Frozen Carbonated Beverage (FCB) Freezer



## Specifications

### Electrical

One dedicated electrical connection is required. See the Electrical chart for the proper electrical requirements. Manufactured to be permanently connected. Consult your local Taylor distributor for cord & receptacle specifications as local codes allow.

### Beater Motor

Two, 1/4 HP.

### Refrigeration System

Two, 18,000 BTU/hr compressor (nominal rating). R404A. (Actual BTUs will vary based on application.)

### Carbonation System

Self-contained carbonation system. Syrup, CO<sub>2</sub>(1/4" MFL) and water (3/8" MFL) fittings connect at the rear of the machine.

### Potable Water Pressure

Minimum 25 PSI for proper operation of carbonation system.

### Air Cooled

Minimum Clearance: 3" (76 mm) around all sides, and 12" (305 mm) on the top of the unit. Minimum air clearances must be met to assure adequate air flow for optimum performance.

### Water Cooled

Water inlet and drain connections at rear 3/8" FPT provided.

### Options

- Flush Display to match C300 height
- Syrup Tank Fittings
- Syrup Storage Cart: Includes shelves for storing BIB FCB syrups and mounting BIB pumps (not included).

### Dimensions

Width: 30" (762 mm)  
 Depth: 35" (889 mm)  
 Two Heights Available: 32-1/8" (816 mm) or 25-1/2" (648 mm)

### Weights

Net: 117 lbs. (53.1 kg) 142 lbs. (64.4 kg)

Weights	lbs.	kgs.
Net	675	306.2
Crated	740	335.7
Volume	cu. ft.	cu. m.
Volume	37.8	1.07
Dimensions	in.	mm.
Width	30	762
Depth	35	889
Height	40-5/8	1032
Counter Clearance	---	---

\*Designed to rest on a plastic pad directly on counter top.

Electrical	Maximum Fuse Size	Minimum Circuit Ampacity	Poles (P) Wires (W)
208-230/60/1 Air	45	35	2P 3W
208-230/60/1 Water	45	34	2P 3W
208-230/60/3 Air	30	24	3P 4W
208-230/60/3 Water	25	23	3P 4W
220-240/50/1 Air	35	28	2P 3W
380-415/50/3N~ Air	15	14	4P 5W

This unit may be manufactured in other electrical characteristics. Refer to the local Taylor Distributor for availability. (For exact electrical information, always refer to the data label of the unit.)

### Bidding Specs

Electrical: Volt \_\_\_\_\_ Hz \_\_\_\_\_ ph \_\_\_\_\_  
 Neutral:  Yes  No | Cooling:  Air  Water  NA

Options: \_\_\_\_\_



**Taylor Company,**  
 A Division of Carrier Commercial Refrigeration, Inc.  
 Rockton, Illinois 61072  
 815-624-8333 800-255-0626 Fax 815-624-8000  
[www.taylor-company.com](http://www.taylor-company.com)

Printed in U.S.A.

059980-ADV 6/09